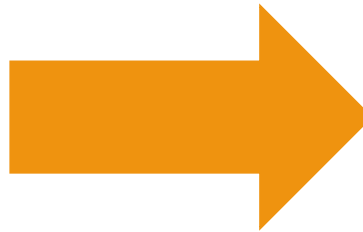


New trend in urea storage:

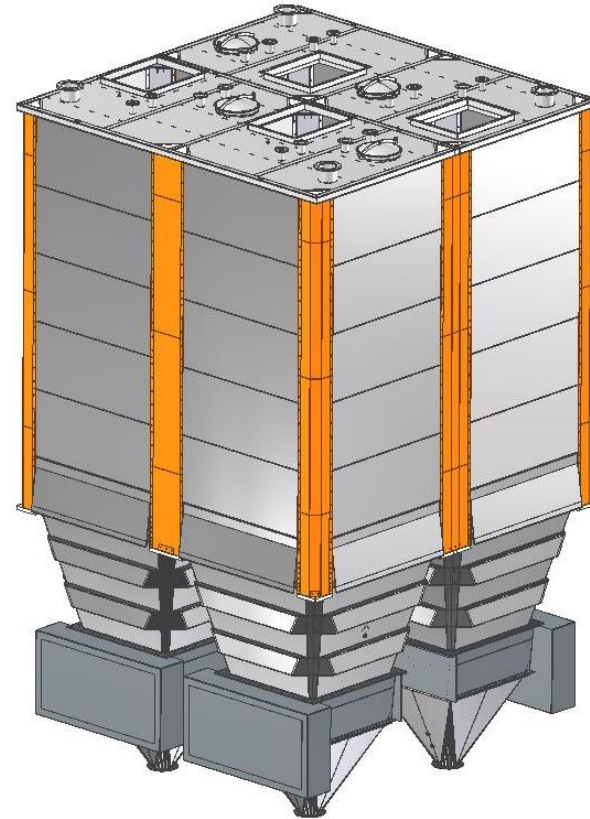
Large silo for UREA producers

New trend in urea storage:
Large silo for UREA producers

Previously:
BULK STORAGE DEPOT



In future:
GEROLDINGER MULTIGON Silo
First In – First Out

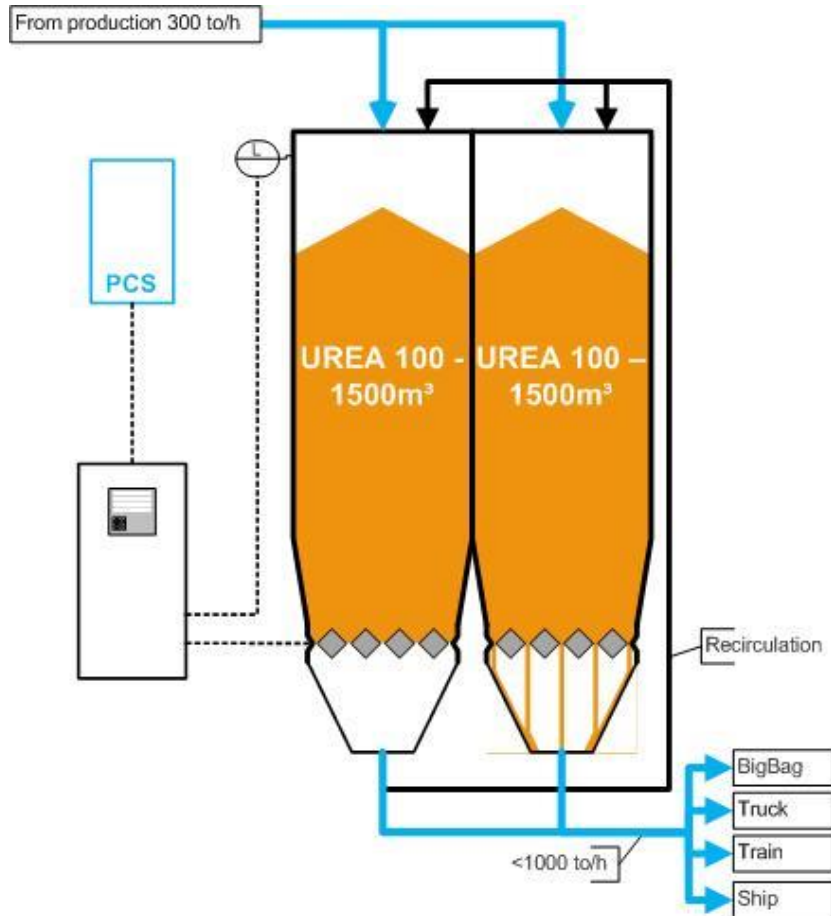


Your benefit

- ✓ **Space-saving**
- ✓ **For urea producers and users**
- ✓ **Urea storage**
- ✓ **Minimum abrasion and grain breakage**
- ✓ **Lower energy costs**
- ✓ **Automatic discharge at any time**
- ✓ **First In First Out**
- ✓ **Safe discharge**



Our solution for you



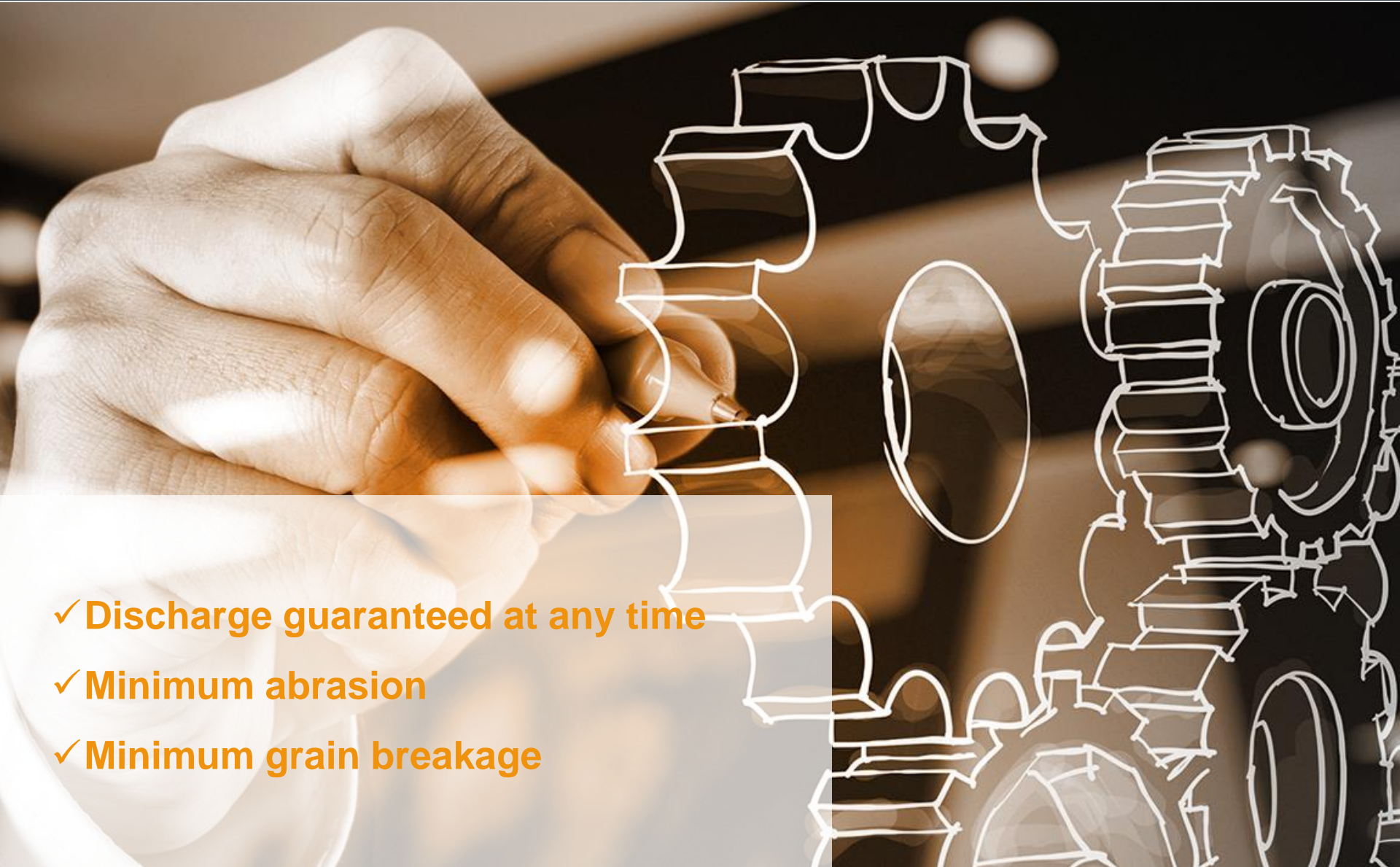
Technical data

	Producer	User
Grain size:	100% < 5mm; 95 % > 0.5mm	100% < 5mm; 85% > 0,5mm
Temperature:	10 – 60°C, higher in grain centre than at the grain surface	5 – 60°C, equal temperature distribution within grain
Humidity:	0,2 – 3%, higher in grain centre than at the grain surface	0,2 – 3%, equal temperature distribution within grain

Scope of delivery:

- ✓ Conceptual design & engineering
- ✓ Delivery of the entire storage facilities, including silo, discharge and control system
- ✓ Automation of plant functions
- ✓ Installation and start-up operation
- ✓ Support services

Functional reliability guaranteed

- 
- ✓ **Discharge guaranteed at any time**
 - ✓ **Minimum abrasion**
 - ✓ **Minimum grain breakage**

Why are we the right partner for you?

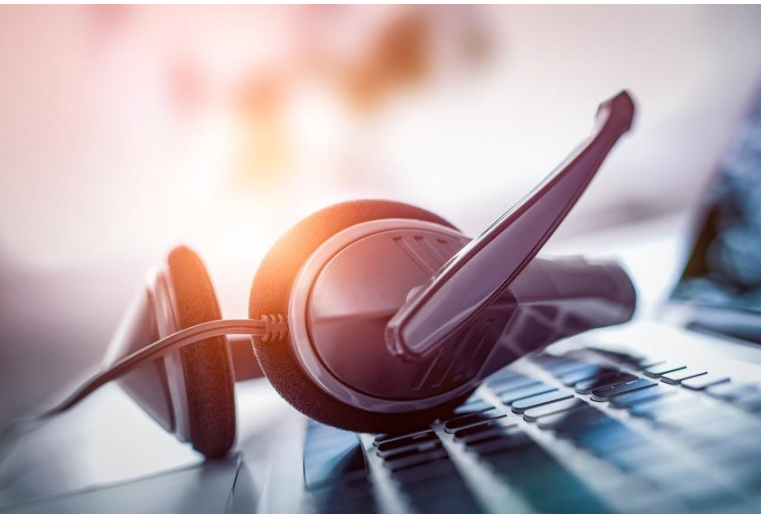


Our know-how:

- ✓ Technical know-how and understanding of hygroscopic bulk materials
- ✓ Technical know-how in handling lump formation
- ✓ Cooperation with universities and research institutions
- ✓ More than 20 years of experience
 - ✓ In the constructive and control-related (mechatronic) implementation of numerous plants
 - ✓ In the realisation of large silos (Multigon silos)
- ✓ Plants constructed for:
 - prilled, lenticular, coated and uncoated urea for producers and users
 - large silos for other applications like for example in the steel industry

Comparison of alternative methods

		Hall with excavation scraper	Hall & discharge with wheel loader	Silo storage / Geroldinger - solution
Suitable for producer and user		Producer	User	Producer and user
Safe withdrawal		+	0	+
Less abrasion and grain breakage	Without blocking	+	+	+
	With blocking	0	0	+
First In - First Out		-	-	+
Maintenance costs		medium	medium	low
Energy costs		medium	medium	low
Operating costs		medium	medium	low
Accident risk		medium	high	low
Contamination		medium	high	low



Please do not hesitate to contact us in case of any questions:

Geroldinger GmbH
Au-Straße 9
4771 Sigharting
Austria
Tel.: +43 7766 2437-0
office@geroldinger.com

www.geroldinger.com